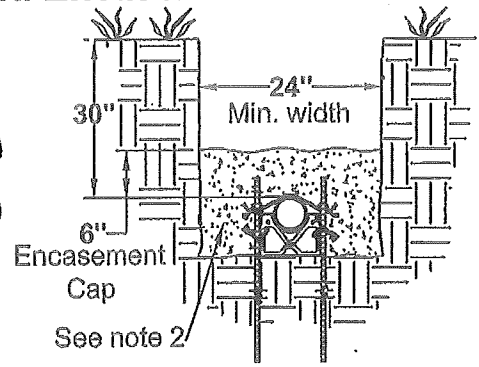
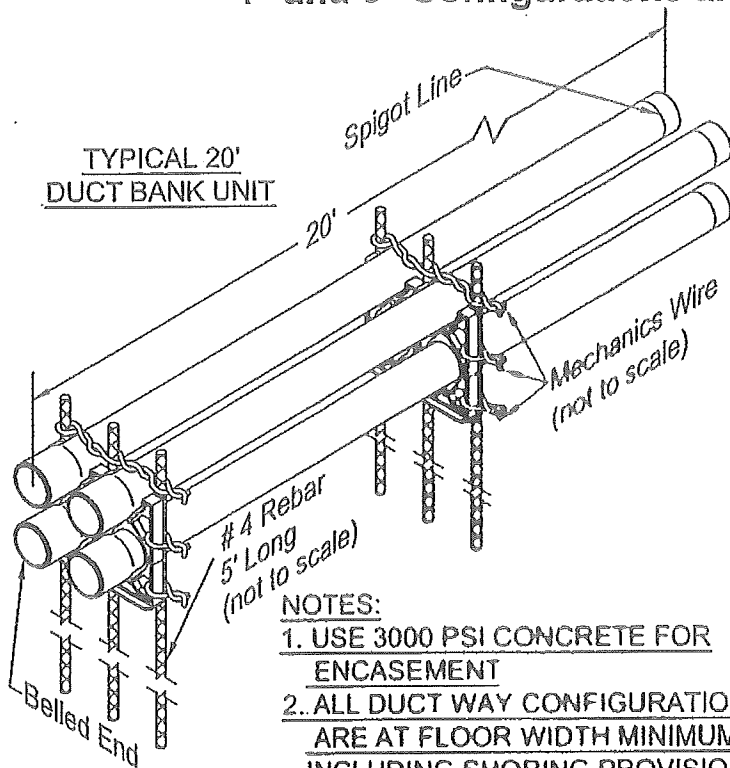


# CONDUIT SYSTEMS

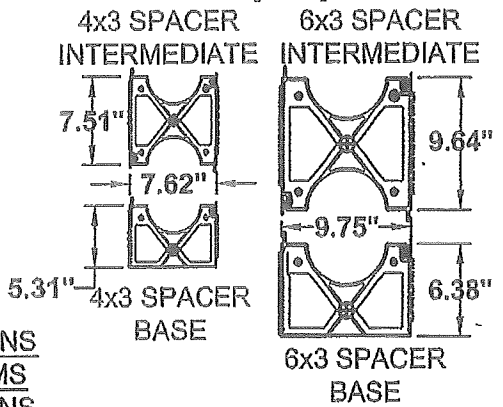
## DISTRIBUTIONS DUCT BANK INSTALLATIONS

### 4" and 6" Configurations and Encasement Values



**NOTES:**

1. USE 3000 PSI CONCRETE FOR ENCASEMENT
2. ALL DUCT WAY CONFIGURATIONS ARE AT FLOOR WIDTH MINIMUMS INCLUDING SHORING PROVISIONS



<b>1-way X 1-way 4"</b>	<b>1-way X 2-way 4"</b>	<b>1-way X 3-way 4"</b>	<b>1-way X 4-way 4"</b>	<b>1-way X 1-way 6"</b>
24" floor width	24" floor width	30" floor width	36" floor width	24" floor width
8" of spacer	16" of spacers	24" of spacers	32" of spacers	10" of spacers
1.5 Cu Yds	1.5 Cu Yds	2 Cu Yds	2.5 Cu Yds	1.5 Cu Yds
<b>1-way X 2-way 6"</b>	<b>1-way X 3-way 6"</b>	<b>1-way X 4-way 6"</b>	<b>2-way X 1-way 6"</b>	
30" floor width	48" floor width	60" floor width	24" floor width	
20" of spacers	30" of spacers	40" of spacers	10" of spacer	
2 Cu Yds	4.5 Cu Yds	5.5 Cu Yds	3 Cu Yds	
<b>2-way X 2-way 6"</b>	<b>2-way X 3-way 6"</b>	<b>2-way X 4-way 6"</b>	<b>3-way X 3-way 6"</b>	
30" floor width	48" floor width	60" floor width	48" floor width	
20" of spacers	30" of spacers	40" of spacers	30" of spacers	
3.5 Cu Yds	5.5 Cu Yds	6.5 Cu Yds	6.5 Cu Yds	