



**Hennepin County Transportation Department**

**ADDENDUM**

**TO PLANS, SPECIFICATIONS AND SPECIAL PROVISIONS FOR  
GRADING, AGGREGATE BASE, BITUMINOUS BASE, BITUMINOUS SURFACE, STORM  
SEWER, WATERMAIN, SURFACE WATER TREATMENT, CURB & GUTTER, CONCRETE  
WALK, RETAINING WALL, LIGHTING, SIGNALS, LANDSCAPING, BRIDGE ANTI-ICING  
SYSTEM, BRIDGE NO. 27B60 EXTENSION, AND BRIDGE NO. 90624 REMOVAL  
HENNEPIN COUNTY TRANSPORTATION DEPARTMENT**

(To be opened Tuesday, February 22, 2011 at 2:00 P.M.)

**ADDENDUM NO. 1**

**CSAH 153 ; C.P. 041603  
S.P. 27-753-13; SP 141-020-112  
Minn. Proj. TCSP-STP10 09MN(005)**

**NOTICE TO ALL BIDDERS:**

**Egram Project Information Access**

**Notice to ALL Bidders: The County has gone to providing project information on its website called “eGram”. To receive email notification of addendums and other updates, Bidders will need to log on the website via their ID and password. A bidder, after logging in, is added automatically to the website plan holders list and the email notification list.**

**This will be the last addendum of this project to be sent out certified mail unless a bidder requests a certified mail addendum by calling 612-348-3181.**

**Plan**

1. On sheet 3 in “Statement of Estimated Quantities” add Item No. 2104.509 Remove Billboard, Each, 1
2. On sheet 54, add to the “Notes” the following:  
“Remove Billboard” at approximate station 209+80 on the north side of Lowry Avenue on Parcel 16 (shown on R/W Plan sheet 113).

**Special Provisions**

Title Page – revise Minn. Proj. No. TCSP-STP10 09MN(005)

**Division “S”**

1. On page 14-S, in S-16.2 delete item 8.
2. On page 17-S, in S-16.2 delete item 25.

**Transportation Department**

1600 Prairie Drive  
Medina, MN 55340-5421  
(612) 596-3000 FAX: (763) 478-4000 TDD: (763) 852-6760

*Recycled Paper*

3. On page 18-S, in S-16.2, modify the sixth sentence in item 28 as follows: “Additional barrier in excess of the Contract quantity that is deemed necessary by the Contractor to protect the traveling public and to provide a safe work zone shall be incidental” and delete the seventh sentence.
4. On page 28-S, in S-16.9, in the last paragraph, modify the second sentence to read as follows: “Additional barrier in excess of the Contract quantity that is deemed necessary by the Contractor to protect the traveling public and to provide a safe work zone shall be incidental”, and delete the third sentence.
5. On page 52-S, in S-35.2, delete “1710.3”.
6. On page 55-S, in S-38.3 modify the permit form name in the third and fourth sentences to the following: “Notice of Termination/Permit Modification Form” and
7. On page 77-S, in S-43.19 (2), add the following bullet to “Bridges”
  - Grouting of Post Tensioning Ducts and to “Roadway”
  - 4 week settlement period
8. On page 83-S, replace S-47.3 with the following:  
“The County will assess a monetary deduction in an amount equal to \$7,200.00 for each Calendar Day that any of the work specified in Section S-46.3 (DETERMINATION AND EXTENSION OF CONTRACT TIME) of these Special Provisions remains incomplete after the expiration of the working period provided therefore.

The County will assess the Contractor a monetary deduction in an amount equal to \$500.00 for each Calendar Day that any of the work specified in Section S-46.2 (DETERMINATION AND EXTENSION OF CONTRACT TIME) of these Special Provisions remains incomplete after the expiration of the working period provided therefore.”

9. On page 85-S, in S-50.1, delete and replace with the following: “Delete item (4) in the first paragraph”.
10. On page 85-S, in S-51.1, replace “fourth” with “third” in the first paragraph.
11. On page 90-S, in S-54.5, (D)(5&6) revise “S-133.10” to “S-54.10”
12. On page 112-S, add the following to S-62:  
“S-62.21 Payment at the Contract unit price per each for item 2104.509 Remove Billboard is for the complete removal of the existing billboard located on Parcel 16. The Contract unit price per each shall be compensation in full for all costs associated with removing and disposing of all above ground and below ground components of the existing billboard, including the structure, sign, and foundations. Contractor shall coordinate the disconnecting of the power service with the power company.”
13. On page 172-S, in S-88.9, revise the following: “Connect to Existing”
14. On page 207-S, in S-106.5, revise the following: “and Gutter Design B624 pay item”.
15. On page 212-S, in S-107.5, revise the following: “Contractor at completion”.

### **Division “SB”**

1. On page 111-SB, in SB-10.13 D, revise the following: “No. 2452.602”

### **Division “SC”**

1. On page 21-SC, in SC-1.17, revise the following: “2540.602 (Masonry Monument)”.
2. On page 28-SC, in SC-2.5, revise the following: “No. 2575.605 “Seed”.

**Division “SZ”**

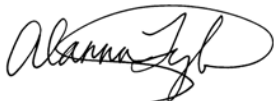
1. On page 6-SZ, delete box in left margin of page.
2. On page 24-SZ, in SZ-5, delete the last paragraph.
3. On page 24-SZ, in SZ-6, revise the following in the first paragraph: “No. 2100.601 Anti-Icing System (exclusive”.

**Attachments**

1. Add the attached “Bridge Ventilation System – Fan Support Detail” detail to the Special Provisions. (Detail is referenced in Division “ME”).

**Add the following to the Bidlet Schedule of Prices:**

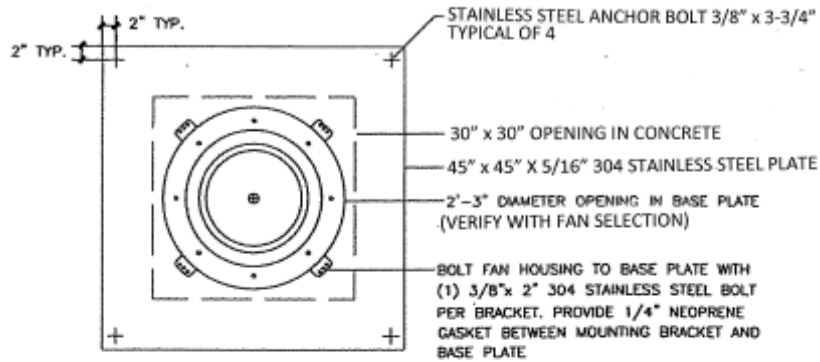
Schedule of Prices	Spec or			Estimated
<u>Line No.</u>	<u>Item No.</u>	<u>Item Description</u>	<u>Unit</u>	<u>Quantity</u>
246	2104.509	Remove Billboard	Each	1.0000



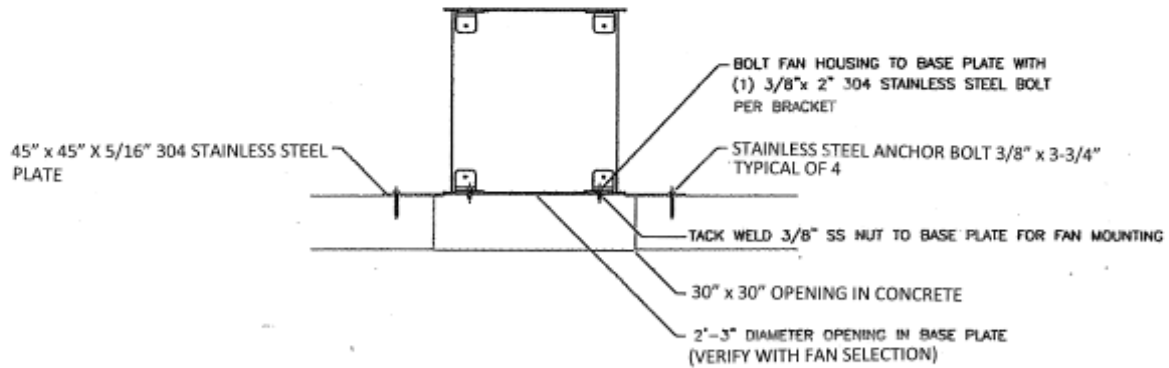
Alanna S. Tyler  
Purchasing Manager

JGM:jj  
January 31, 2011  
Attachment(s)

***Receipt of this addendum must be acknowledged in accordance with the provisions of 1210 of the specifications.***



FAN SUPPORT



SECTION

**BRIDGE VENTILATION SYSTEM – FAN SUPPORT DETAIL**